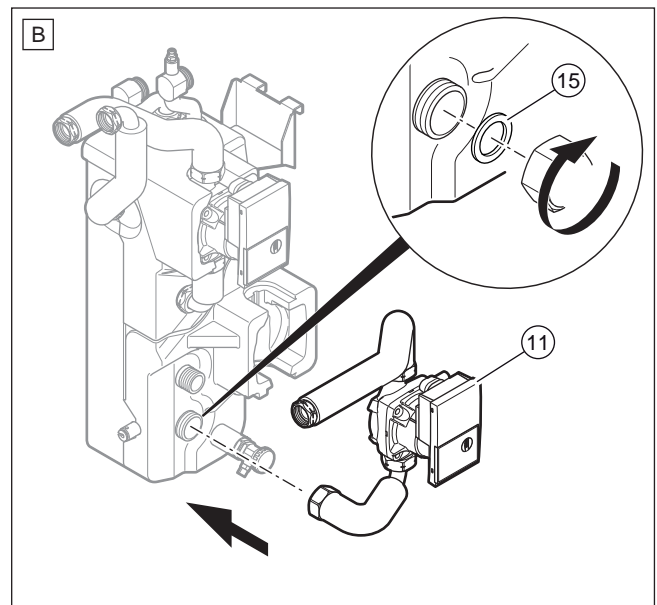
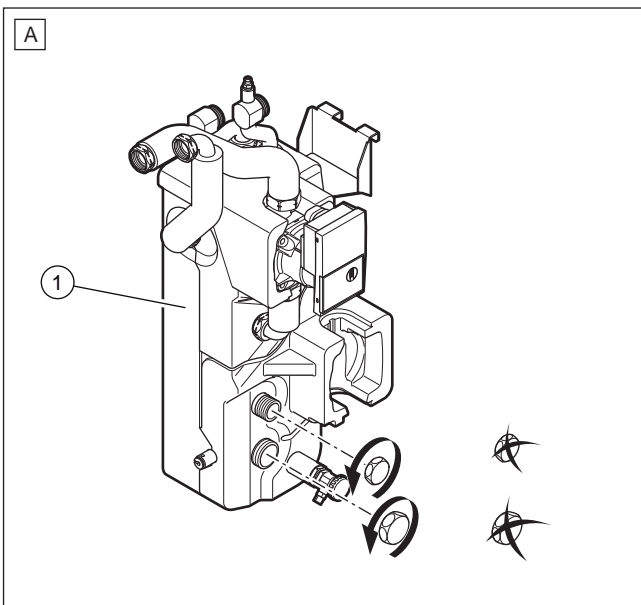
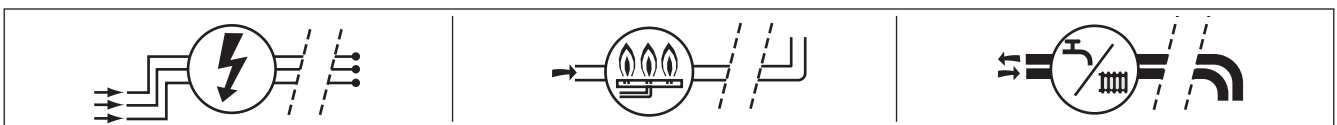
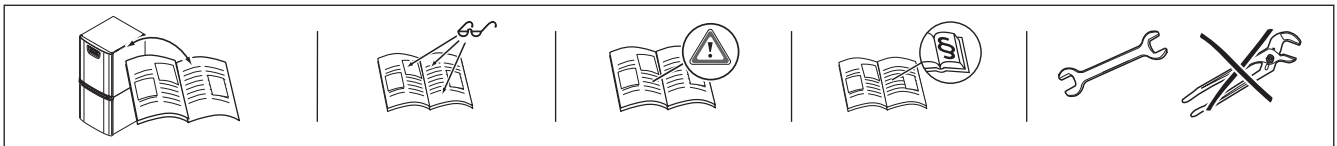
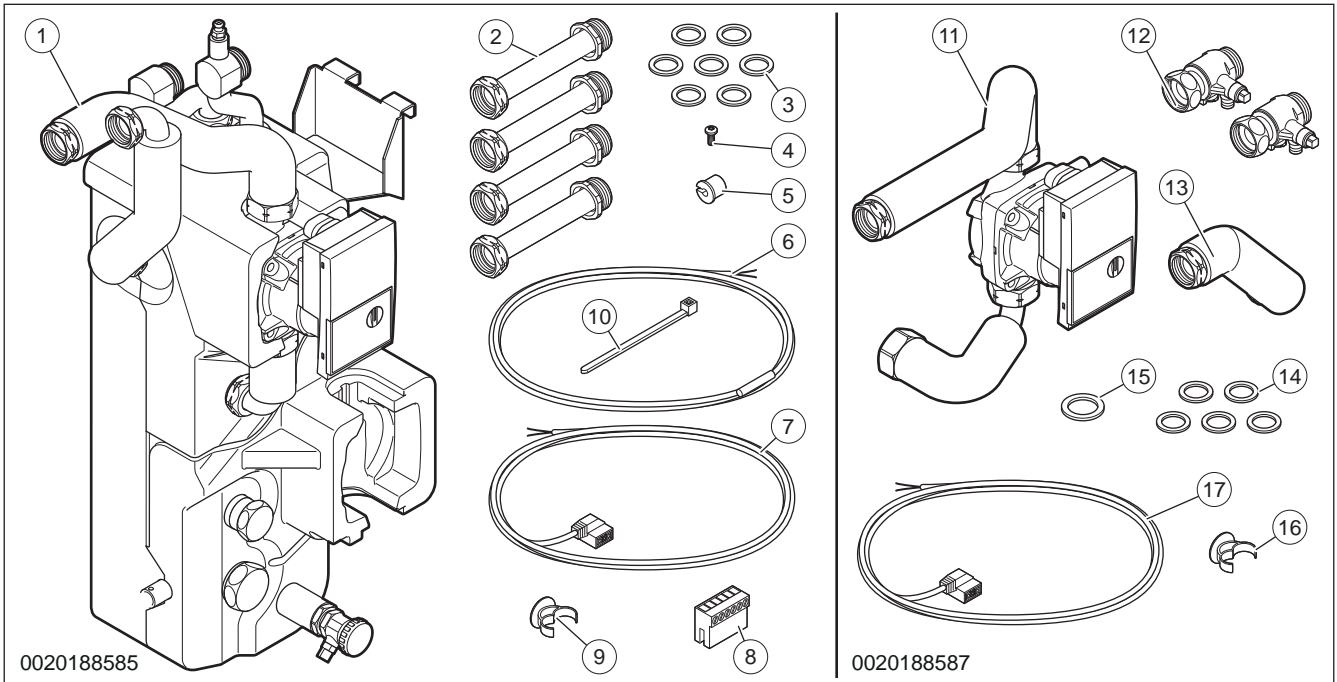
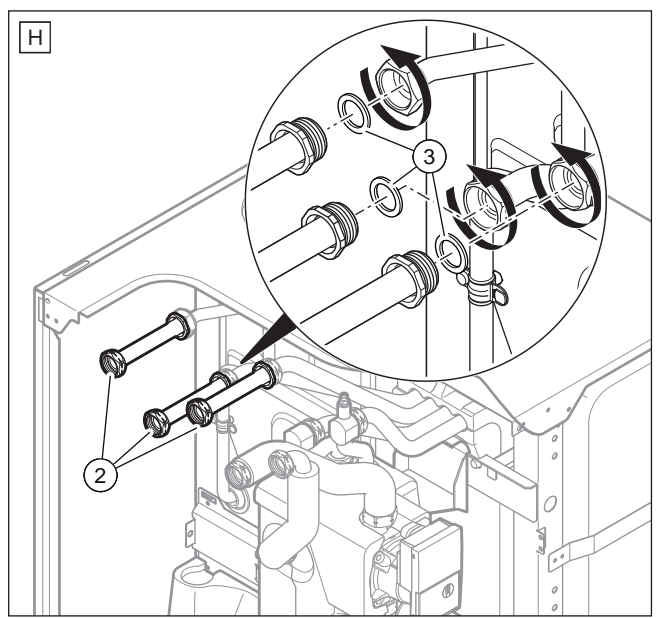
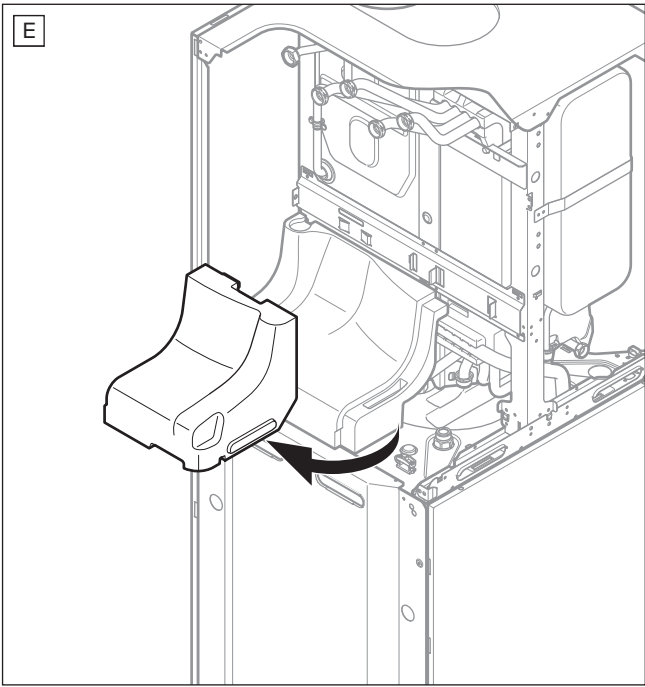
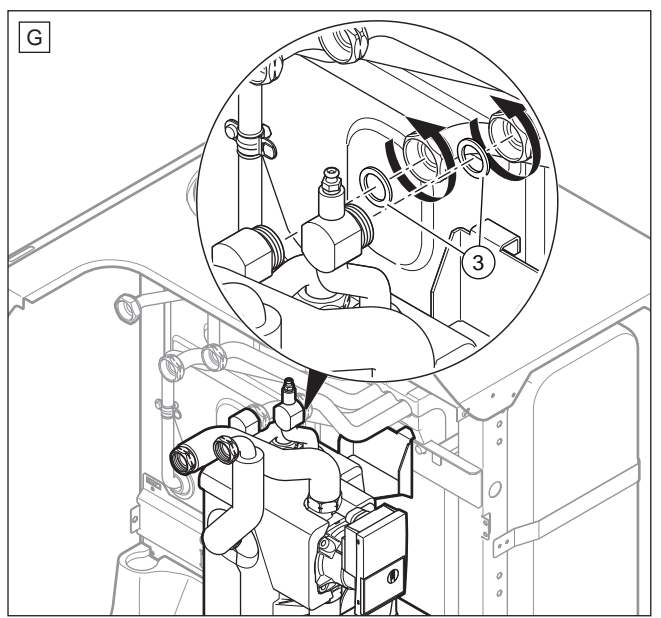
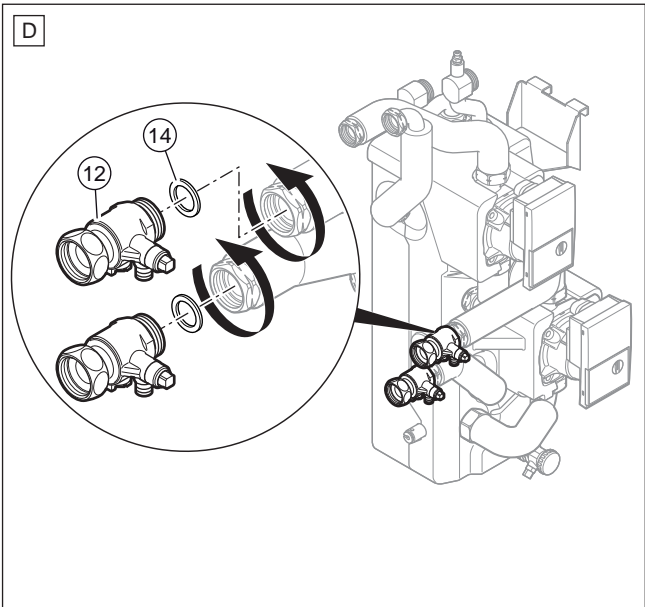
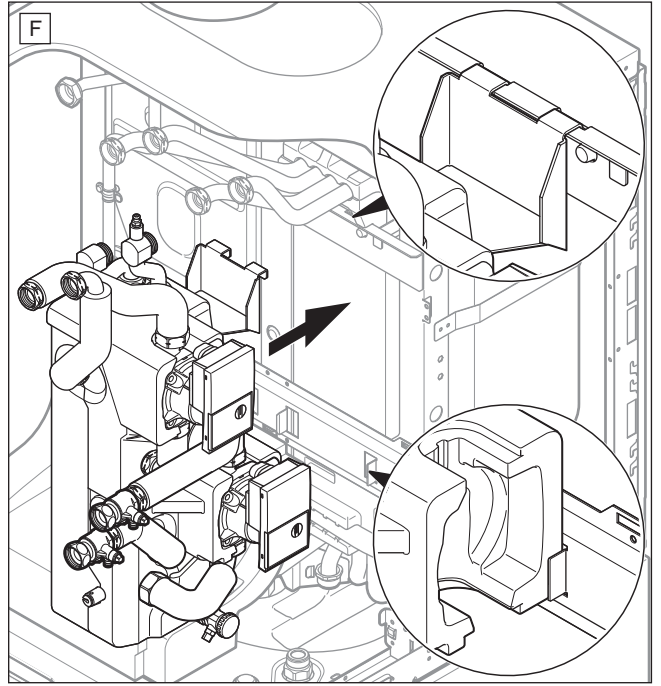
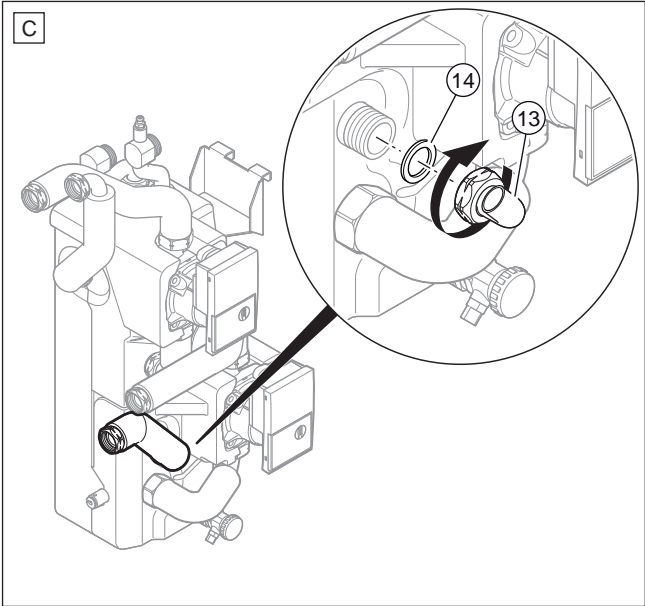
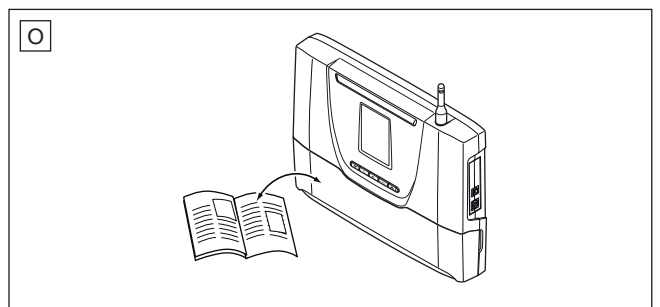
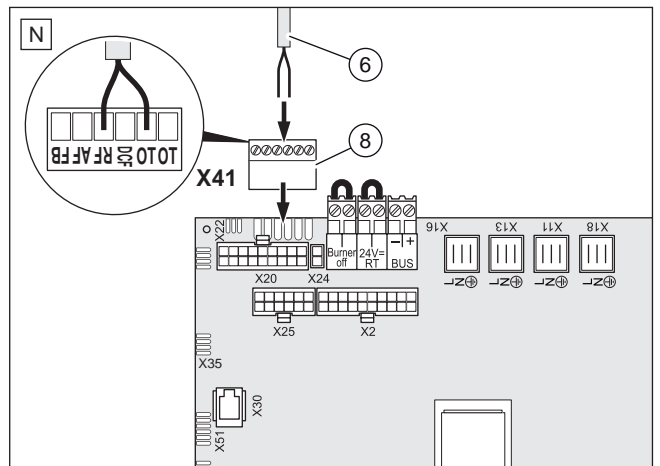
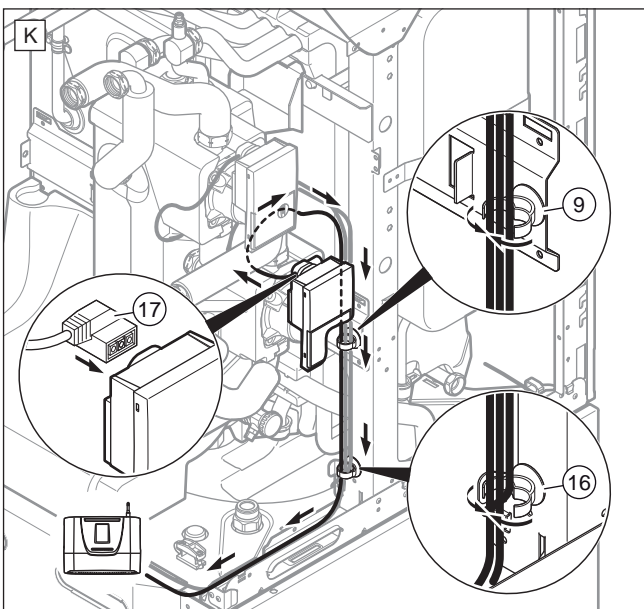
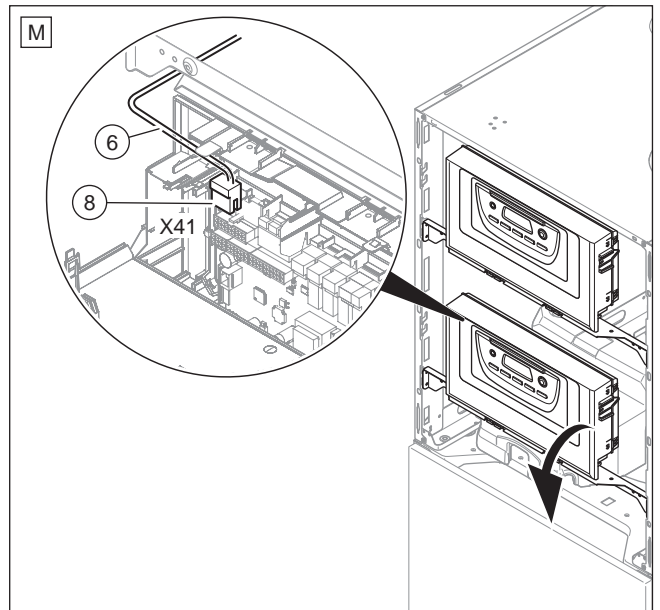
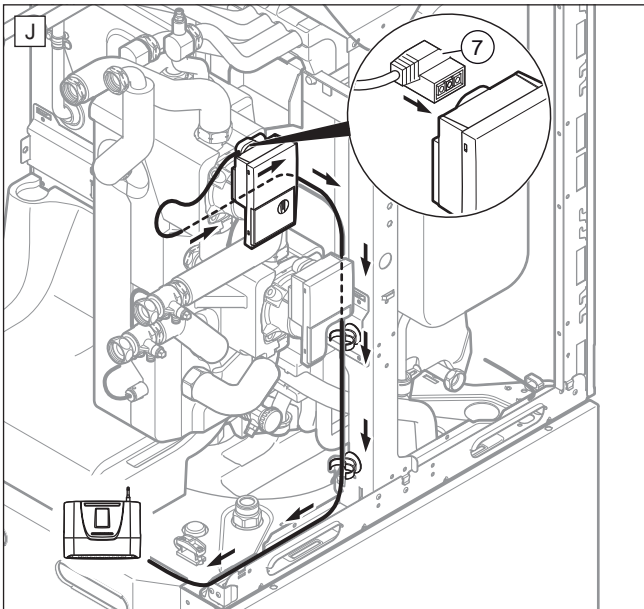
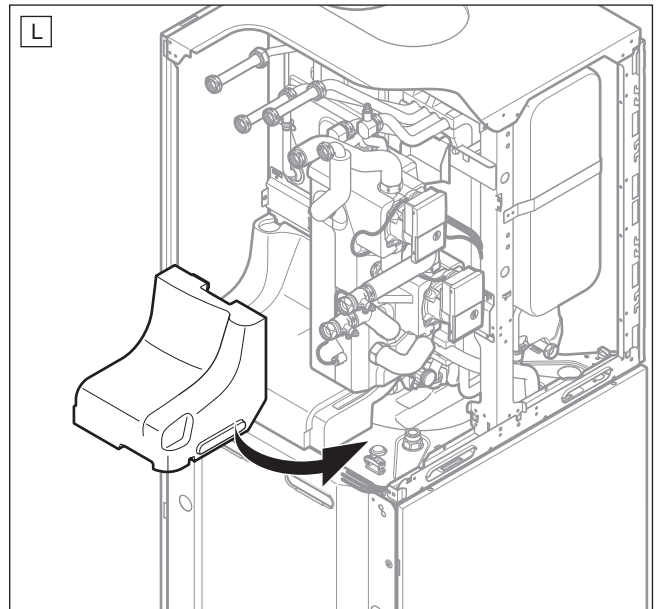
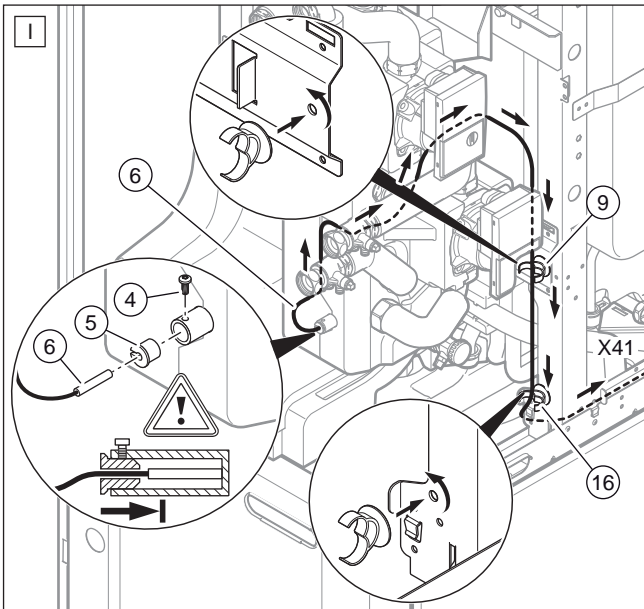


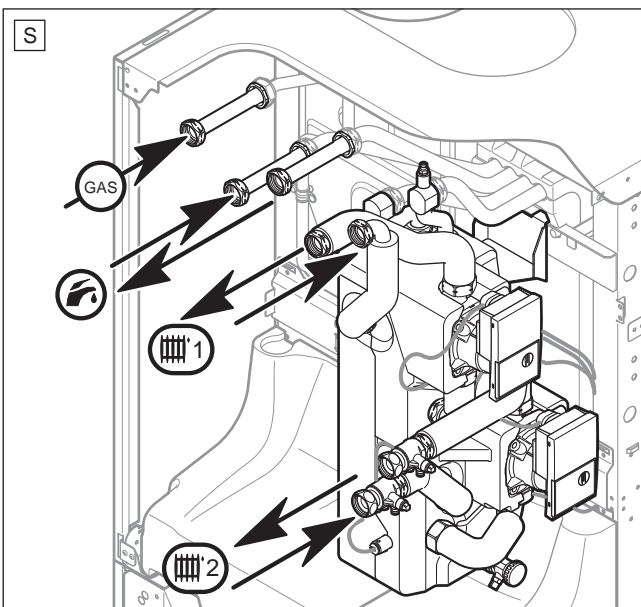
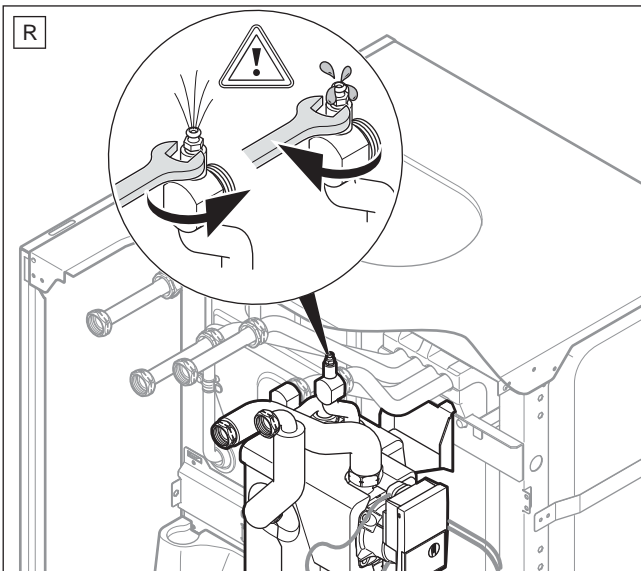
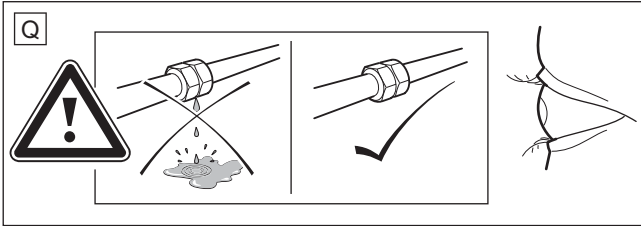
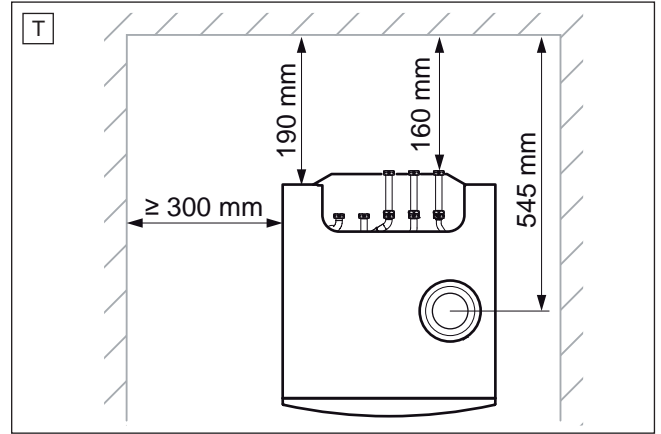
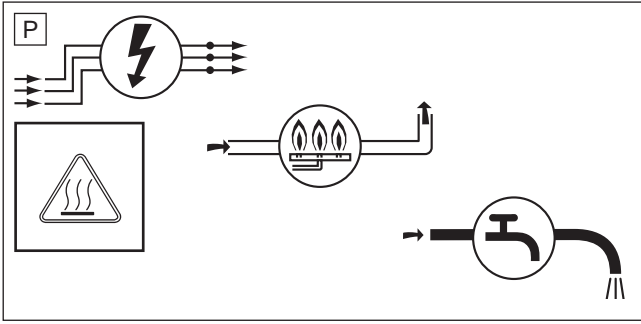
0020188585

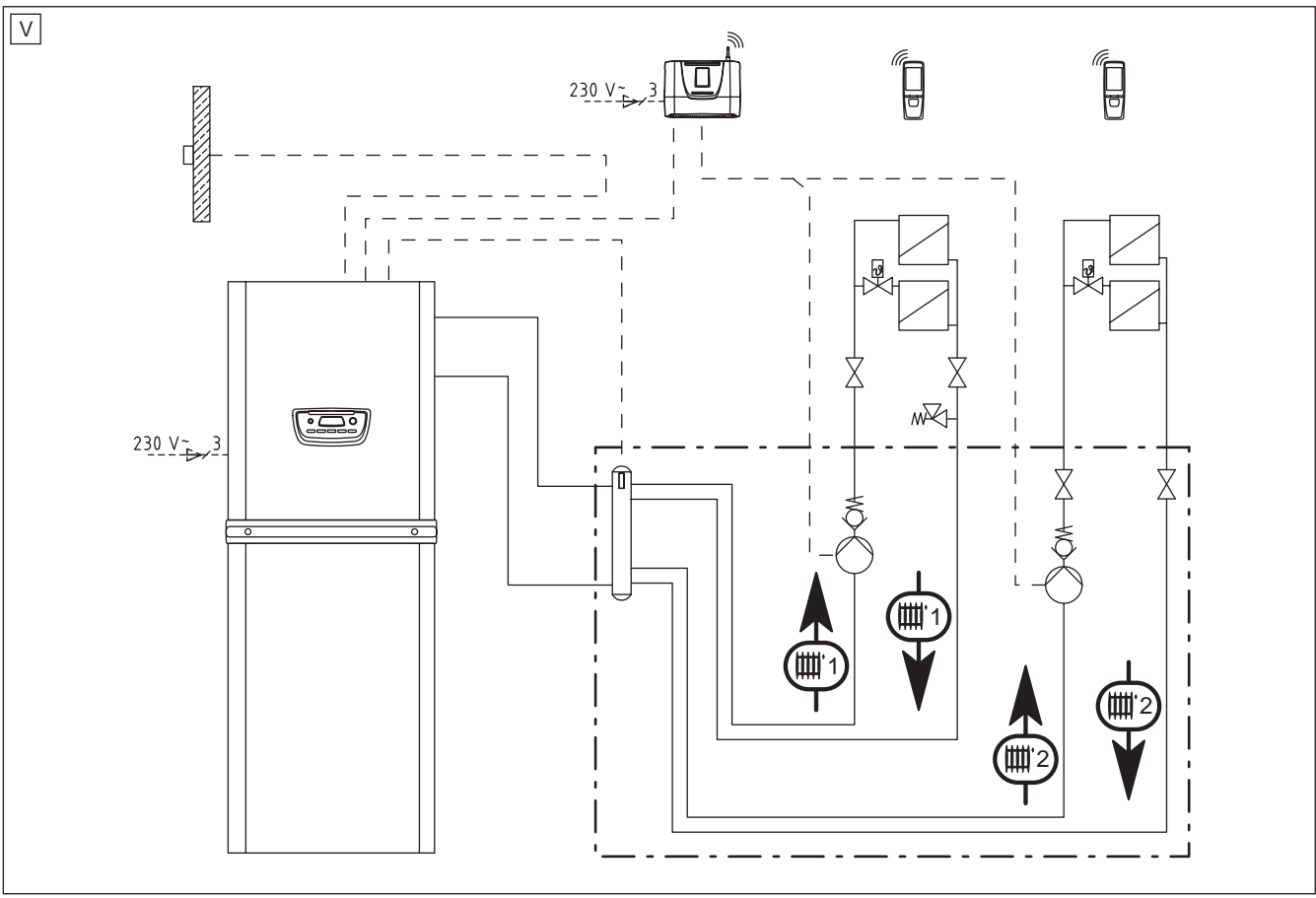
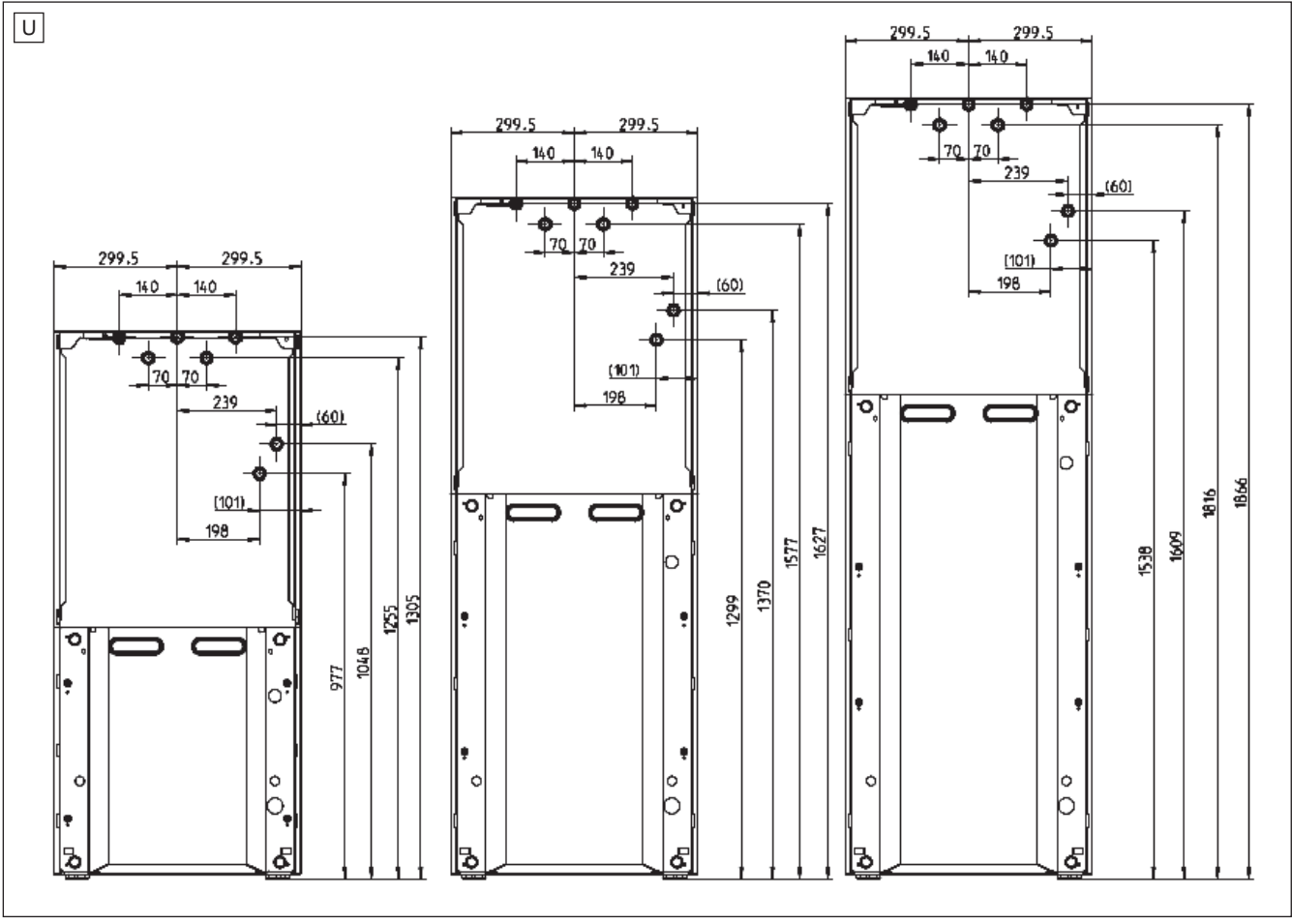
0020188587

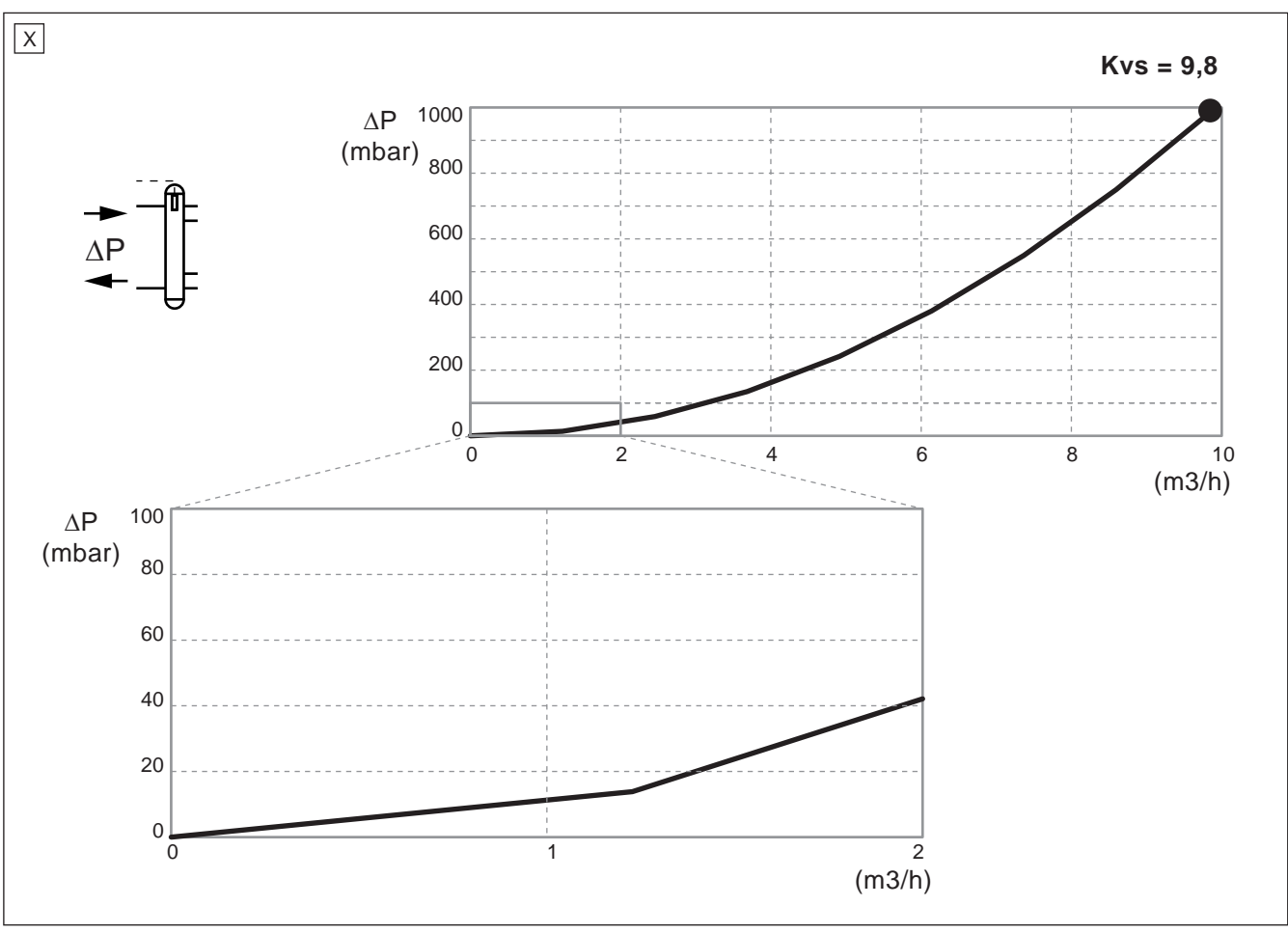
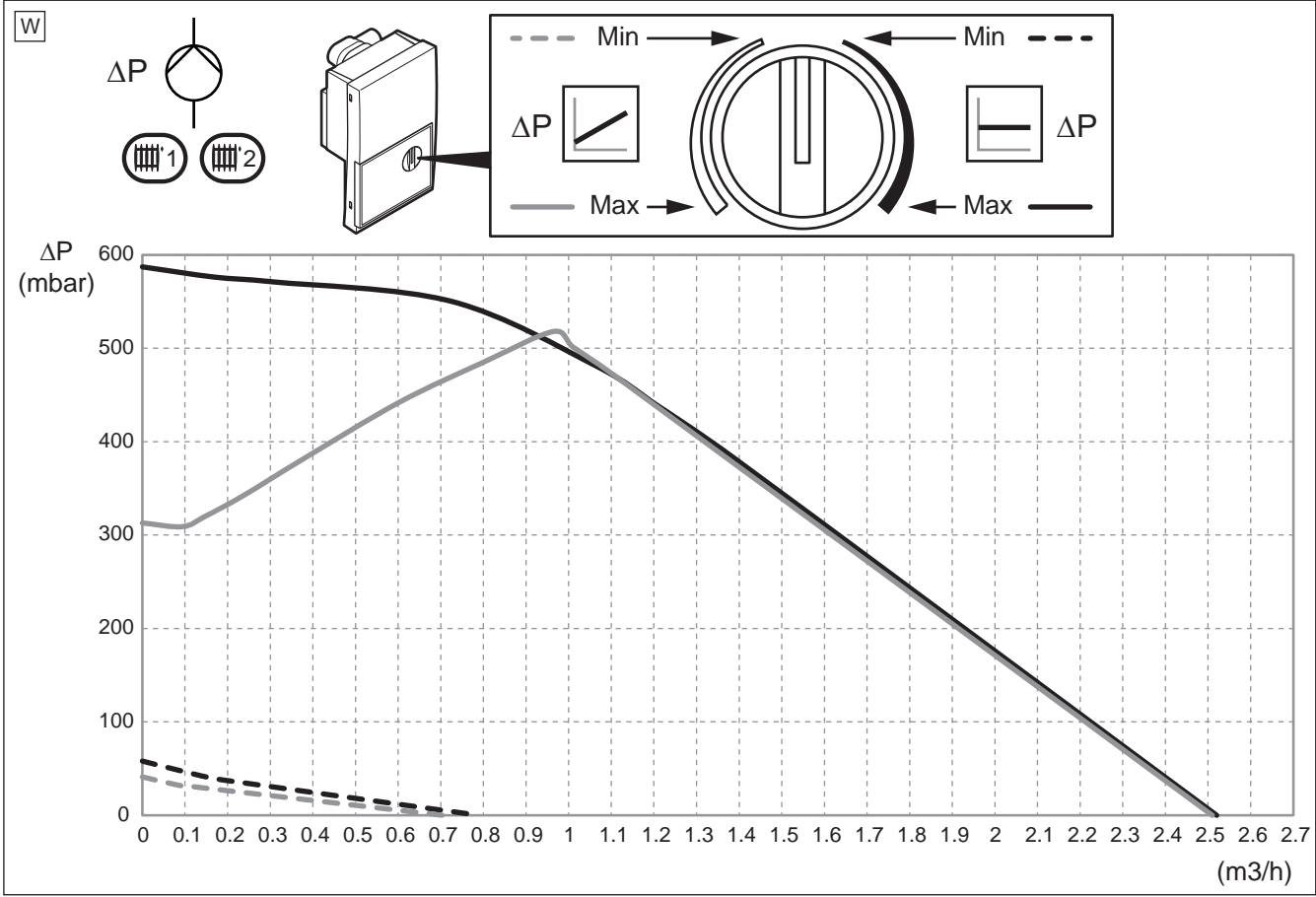












0020203670_00 ■ 22/09/2014

Manufacturer

Saunier Duval ECCI

17, rue de la Petite Baratte
BP 41535 - 44315 Nantes Cedex 03 – France
Téléphone : +33 240 68 1010
Télécopie : +33 240 68 1053

©These instructions, or parts thereof, are protected by copyright and may be reproduced or distributed only with the manufacturer's written consent.

